

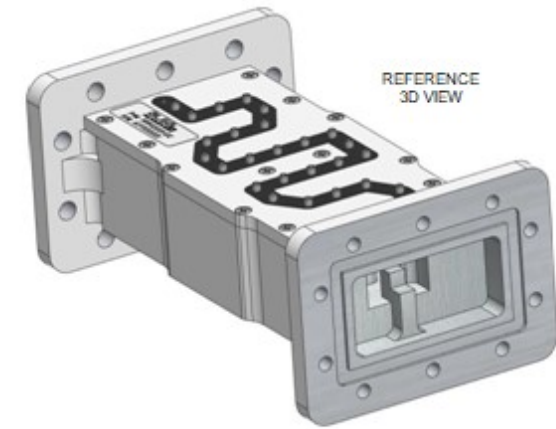


Model FLT-VS-372420FT-GT

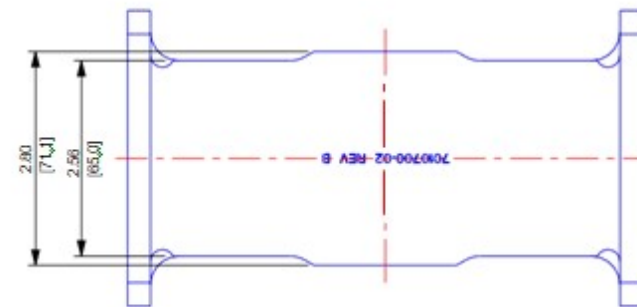
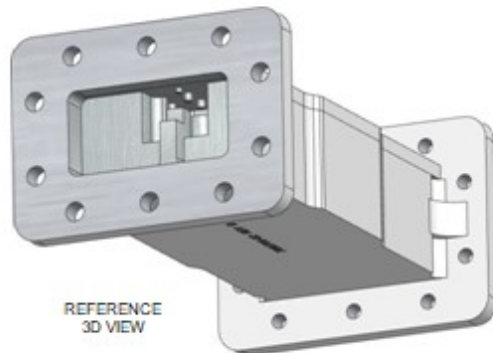
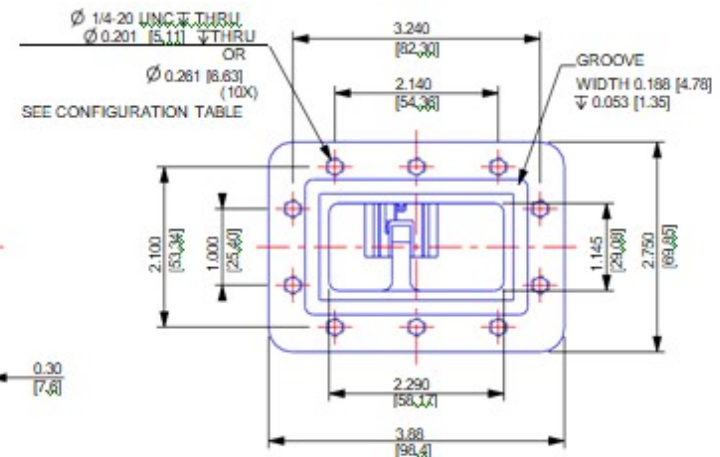
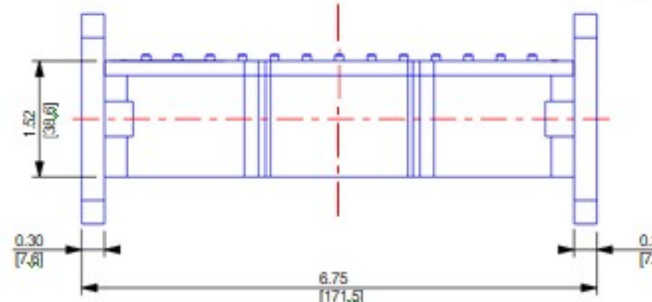
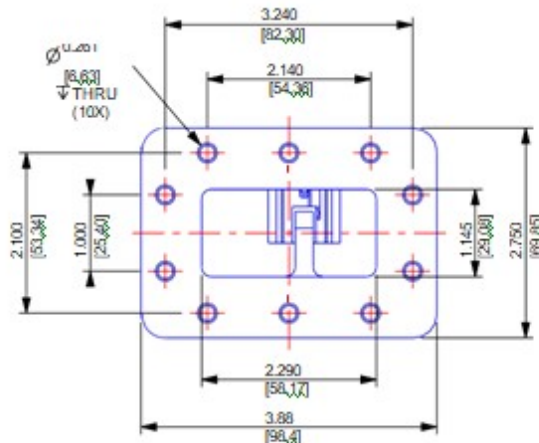
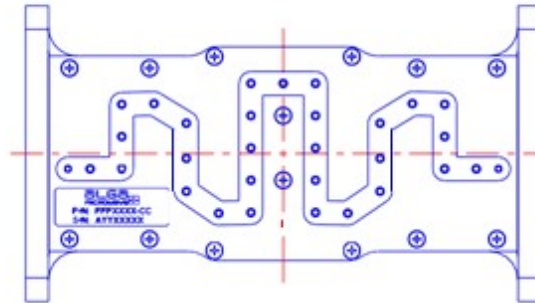
Approved by INATEL/SIGA ANTENADO

REVISIONS			
REV	RCN	DATE	APPROVED
A	INITIAL RELEASE	Oct 29, 2018	MLL
B	SLW-18-0000	Nov 21, 2018	MLL
C	SLW-18-0000	Aug 11, 2019	MLL
D	SLW-20-0000	Feb 26, 2020	PKL

MECHANICAL PROPERTIES	
INTERFACES	FLANGE: UDR40 CPR-229 FLAT FLANGE: PDR40 CPR-229 GROOVED
MATERIAL	ALUMINUM 6061
FINISH	FLANGES: CHEMICAL CONVERSION WAVEGUIDE: SILVER PLATE EXTERIOR: MATTE WHITE PAINT
WEIGHT	2.2 Lbs [998g]
ENVIRONMENTAL PROPERTIES	
OPERATING TEMP	0°C TO +50°C



GROUP I FILTER	PASSBAND	3820 - 4200 MHz
	GROUP DELAY VARIATION	1.45 μ Sec. MAX @ 3820 - 4200 MHz
	INSERTION LOSS	1.3 dB MAX
	REJECTION	70 dB MIN BELOW 3700 MHz
		80 dB MIN AT 3800 MHz
		50 dB MIN AT 3803 MHz (temp drift)
RETURN LOSS	25 db MIN ABOVE 4230 MHz	
	20 dB MIN	



INCH [MILLIMETER]		FORM 1	FORM 1
UNLESS OTHERWISE SPECIFIED DIMENSIONS ARE IN INCHES		A	
DIMENSIONS ARE PER DECIMALS X.XX XXXX XXXX XXXX			
DO NOT SCALE DRAWING			
DATE	10/29/2018	DESIGNER	MLL
DRAWN BY	MLL	CHECKED BY	MLL
DATE		SCALE	0.400
PART NUMBER		SEE CONFIGURATION TABLE	
DRAWING NUMBER		CD-2100318-02-XX	
CASE NUMBER		1 OF 1	